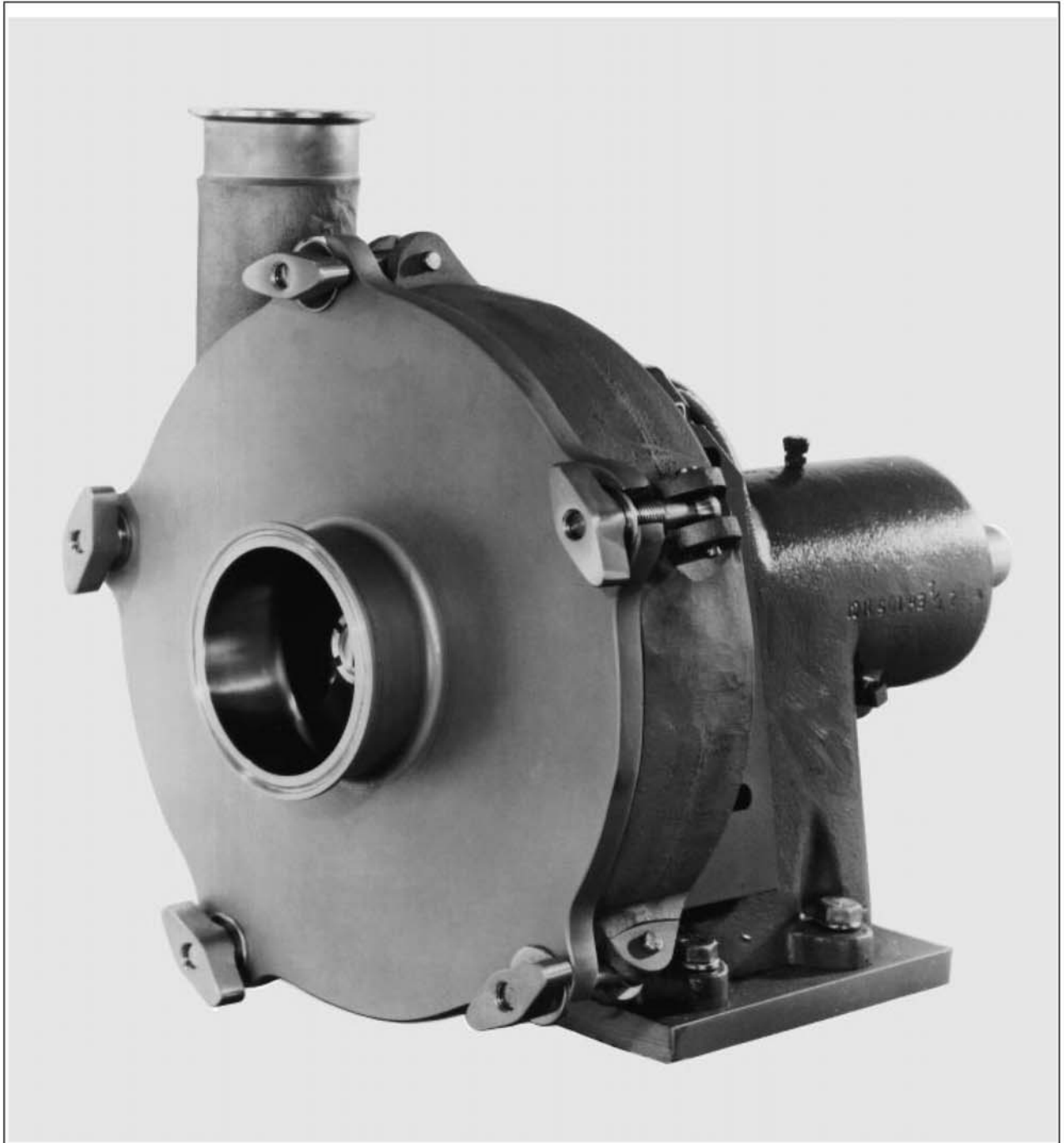


ZMT 3EH and 4EH EH Series Centrifugal



1010 Shaw Road, Stockton, CA 95215 • (209) 547-1965 • FAX (209) 464-8140

Out of the box thinking for better performance.

Pumps you can depend on to meet your special pumping requirements.

These high capacity, low shear pumps are available in three models with five different seals, and your choice of Tri-Clamp®, Bevel Seat or Flanged Connections.

The ZMTEH Series base-mounted centrifugal pumps have been designed and built to give years of trouble-free, dependable service. All wetted parts are cast type 316L SS which provides maximum corrosion resistance. EH casing and front cover are furnished with polished ID finish providing a sanitary environment, and glass beaded OD as standard. In addition, the casing cover is held on by heavy duty bolts. This enables the pump to withstand stresses from misalignment or shock pressures in your system.

Our one-piece “bow-tie” impeller design is ideal for delicate products including latex, whole vegetables, protein slurries and enzymes. The impeller gently scoops your product through the pump instead of beating it. This means less foaming and no compromises with product integrity.

The impeller is securely attached to the threaded shaft by means of a lock nut / cotter pin retainer design. However, when necessary, the impeller can be easily removed without the use of special tools, making any cleaning almost effortless.

Seal Selection

Your choice of five different seal types to meet your application.

Seal #D - Carbon Rotary

The Type D seal utilizes the hydraulic pressure developed by the pump to achieve the sealing action. This process or product pressure is evenly exerted against an “O” ring contained in a groove in the seal ring. The pressure forces the “O” ring against the face of the collar, providing a static seal, eliminating product leakage along the shaft.

Typical applications include: dairy products, cream style corn, tomatoes, beverages, etc. Also applicable for acid cleaning solutions and detergents.

Seal #E - Water Cooled Rotary

The Type E seal is fully contained within a stuffing box. Its double end design permits the sealant to be controlled to the drain. This seal uses the same hydraulic balance as the Type D seal described above.

Ideal for slurries, heavy duty vacuum applications (to 28" Hg), tacky products or products at temperatures up to and exceeding 212°F.

See us at
www.zmtech.com

Seal #A - Packing Gland

This is a compressed type seal, utilizing a stuffing box, split gland and rings of square cross-section packing. Sealing is accomplished by axially compressing the packing rings in the stuffing box through use of the split gland. Compression is achieved by tightening the two hex nuts that hold the gland to the stuffing box. When tightened, the nuts force the gland into the stuffing box, and compress the packing. As the packing is compressed, the packing rings flow outward to seal against the bore of the stuffing box, and inward to seal against the pump shaft.

This seal is recommended for chemical processing applications of nonabrasive and nonabrasive / non-congealing products.

Seal #C - Packing Gland With Water

The Type C seal is similar to the Type A in many ways. The basic difference is that a lantern ring and flush passage are incorporated into the packing and stuffing box allowing the contact area between the pump shaft and packing rings to be flushed.

It can be applied in vacuum installations over 20" Hg and in systems pumping hot liquids over 212°F, or tacky products.

Seal #B - Latex

The Type B seal is similar to the Type C except the lantern ring is located further from the pump casing. In other words, the Type B has a greater number of packing rings between the lantern ring and the casing than does the Type C.

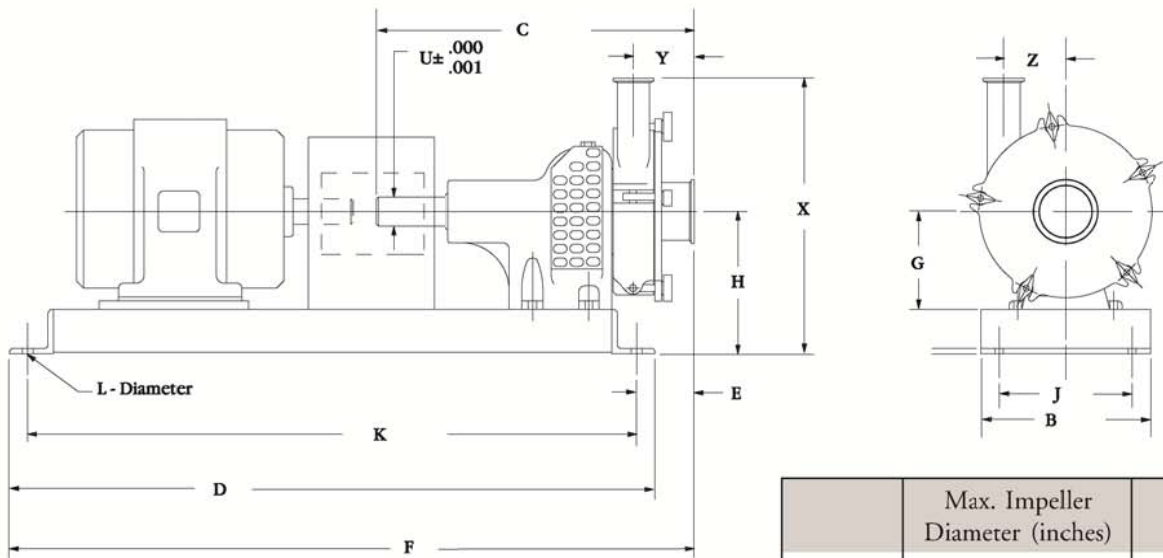
This seal is ideal for latex and similar products where a reduction of flush fluid leakage into the product being pumped is important to minimize product dilution.

See us at
www.zmtech.com

Dimensions

Dimensions are approximate and for guidance only. On applications where exact dimensions are required, request a certified print from ZMt, Inc. Keyslot Information: Model 3EH - "B" Woodruff Key $\frac{5}{16}$ " wide. Model 4EH - "C" Woodruff Key $\frac{3}{8}$ " wide.

- ❶ Tri-Clamp® Connections ❷ Threaded Bevel Seat Connections
- ❸ A.S.A. 150# Raised Face Flanged Connections.



	Max. Impeller Diameter (inches)	Max. Capacity (at 1750 rpm)
3EH	11 $\frac{1}{4}$	to 145' Hd, 600 gpm
4EH	13 $\frac{9}{16}$	to 194' Hd, 1000 gpm

	3EH				4EH					
	254T	213T	254T	284T	324T	254T	284T	324T	326T	364T
E ^❶	2 $\frac{7}{8}$	3 $\frac{5}{32}$	3 $\frac{17}{32}$	3 $\frac{17}{32}$	3 $\frac{11}{32}$	4 $\frac{3}{8}$	4 $\frac{3}{8}$	4 $\frac{3}{8}$	4 $\frac{3}{8}$	4 $\frac{3}{8}$
E ^❷	2 $\frac{7}{8}$	3 $\frac{5}{32}$	3 $\frac{17}{32}$	3 $\frac{17}{32}$	3 $\frac{11}{32}$	4 $\frac{5}{16}$	4 $\frac{5}{16}$	4 $\frac{5}{16}$	4 $\frac{5}{16}$	4 $\frac{5}{16}$
E ^❸	3 $\frac{13}{16}$	4 $\frac{3}{32}$	4 $\frac{15}{32}$	4 $\frac{15}{32}$	4 $\frac{9}{32}$	4 $\frac{1}{4}$	4 $\frac{1}{4}$	4 $\frac{1}{4}$	4 $\frac{1}{4}$	4 $\frac{1}{4}$
F ^❶	43 $\frac{5}{8}$	41 $\frac{29}{32}$	46 $\frac{9}{32}$	46 $\frac{9}{32}$	52 $\frac{9}{32}$	50 $\frac{5}{16}$	54 $\frac{5}{16}$	54 $\frac{5}{16}$	54 $\frac{5}{16}$	64 $\frac{5}{16}$
F ^❷	43 $\frac{5}{8}$	41 $\frac{29}{32}$	46 $\frac{9}{32}$	46 $\frac{9}{32}$	52 $\frac{9}{32}$	50 $\frac{1}{4}$	54 $\frac{1}{4}$	54 $\frac{1}{4}$	54 $\frac{1}{4}$	64 $\frac{1}{4}$
F ^❸	44 $\frac{9}{16}$	42 $\frac{27}{32}$	47 $\frac{7}{32}$	47 $\frac{7}{32}$	53 $\frac{7}{32}$	50 $\frac{3}{16}$	54 $\frac{3}{16}$	54 $\frac{3}{16}$	54 $\frac{3}{16}$	64 $\frac{3}{16}$
H	9 $\frac{1}{4}$	9 $\frac{1}{8}$	10 $\frac{1}{4}$	10	12	14	14	14	14	13
J	12 $\frac{1}{2}$	11 $\frac{1}{2}$	14	13	15	14	18	18	18	20
K	39 $\frac{1}{2}$	37 $\frac{1}{2}$	41 $\frac{1}{2}$	41 $\frac{1}{2}$	47 $\frac{7}{8}$	44 $\frac{7}{8}$	48 $\frac{7}{8}$	48 $\frac{7}{8}$	48 $\frac{7}{8}$	58 $\frac{7}{8}$
L	$\frac{3}{4}$	$\frac{3}{4}$	$\frac{11}{16}$	$\frac{3}{4}$	$\frac{7}{8}$	$\frac{7}{8}$	$\frac{7}{8}$	$\frac{7}{8}$	$\frac{7}{8}$	$\frac{7}{8}$
B	15 $\frac{1}{4}$	15 $\frac{1}{4}$	16 $\frac{3}{4}$	16 $\frac{1}{4}$	17 $\frac{3}{4}$	16 $\frac{3}{4}$	20 $\frac{3}{4}$	20 $\frac{3}{4}$	20 $\frac{3}{4}$	23 $\frac{3}{4}$
D	42	40	44	44	50	47	51	51	51	61
G	6 $\frac{1}{4}$	6 $\frac{1}{8}$	6 $\frac{1}{4}$	7	8	9	9	9	9	9

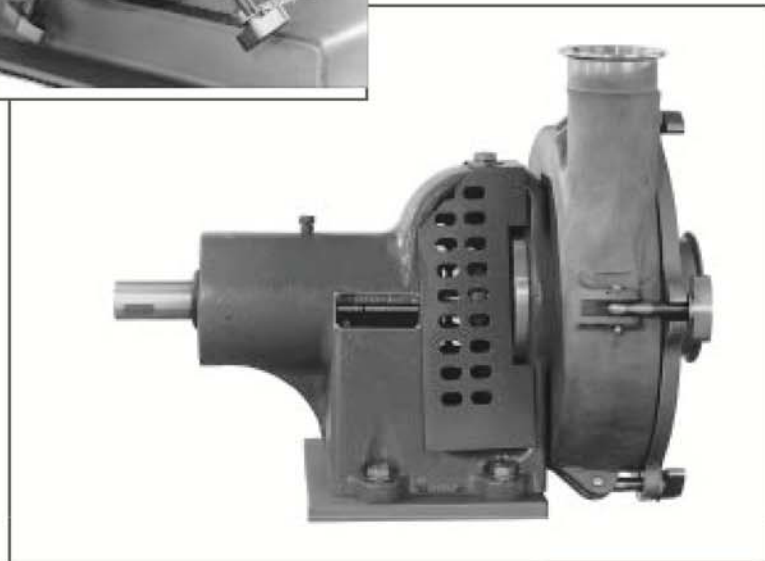
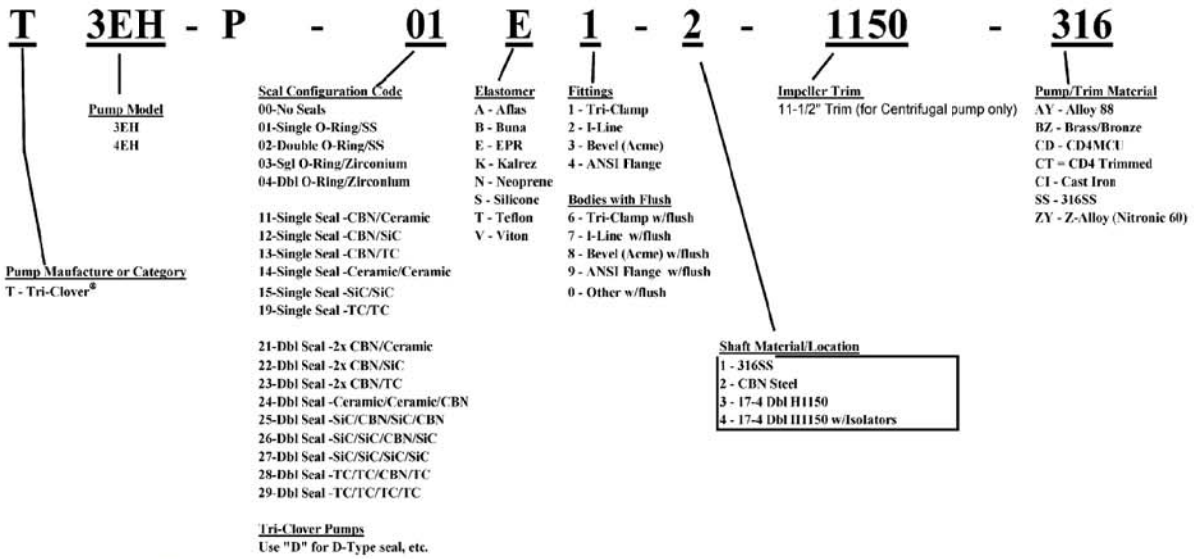
Inlet	Outlet	C ^❶	C ^❷	C ^❸	Y ^❶	Y ^❷	Y ^❸	X ^❶	X ^❷	X ^❸	Z	U	
3EH	4	3	20 $\frac{11}{32}$	20 $\frac{11}{32}$	21 $\frac{7}{32}$	3 $\frac{27}{32}$	3 $\frac{27}{32}$	4 $\frac{23}{32}$	9 $\frac{1}{4}$	9 $\frac{1}{4}$	10 $\frac{3}{16}$	4 $\frac{17}{32}$	1 $\frac{3}{8}$
4EH	6	4	25 $\frac{11}{32}$	25 $\frac{9}{32}$	25 $\frac{7}{32}$	4 $\frac{29}{32}$	4 $\frac{27}{32}$	4 $\frac{25}{32}$	10 $\frac{7}{8}$	10 $\frac{13}{32}$	10 $\frac{3}{4}$	5 $\frac{1}{4}$	1 $\frac{11}{16}$



Ordering Information

A sample part number for a ZMT EH Centrifugal Pump is shown below. The model describes the pump only. The base, motor, coupling and coupling guard, etc. must be specified separately.

New Pumps - PART NUMBER SYSTEM



See us at
www.zmtech.com

TERMS, WARRANTY PROVISIONS, NOTICE OF CLAIMS AND LIMITATIONS OF LIABILITY

Prices and all terms and conditions of sale are established in current price sheets and are subject to change without notice. All orders are subject to acceptance by ZMT, Inc at its Stockton, CA office only. No assignment of the purchaser's rights may be made without consent of ZMT, Inc.

Each ZMT item is warranted to be free from manufacturing defects for a period of one(1) year from the date of shipment, providing it has been used as recommended and in accordance with recognized piping practice, and providing it has not been worn out due to severe service, such as encountered under extremely corrosive or abrasive conditions.

THIS WARRANTY IS EXPRESSLY IN LIEU OF ANY OTHER WARRANTIES, EXPRESS OR IMPLIED, INCLUDING BUT NOT LIMITED TO, ANY IMPLIED WARRANTY OF MERCHANTABILITY OR FITNESS FOR A PARTICULAR PURPOSE.

All claims must be in writing and must be mailed or delivered by purchaser within thirty (30) days after purchaser learns of the facts upon which such claim is based. Any claim not made in writing and within the time period specified above shall be deemed waived.

PURCHASER'S SOLE AND EXCLUSIVE REMEDY AND ZMT INC.'S MAXIMUM LIABILITY FOR CLAIMS ARISING HEREUNDER OR FOR NEGLIGENCE FOR ANY AND ALL LOSSES AND DAMAGES RESULTING FROM ANY CAUSE SHALL BE EITHER THE REPAIR OR REPLACEMENT OF DEFECTIVE ITEMS OR, AT ZMT INC.'S OPTION, THE REFUND OF THE PURCHASE PRICE FOR SUCH ITEMS. IN NO EVENT, INCLUDING IN THE CASE OF A CLAIM FOR NEGLIGENCE, SHALL ZMT INC. BE LIABLE FOR INCIDENTAL OR CONSEQUENTIAL DAMAGES INCLUDING LOSS OF PROFITS.

No person, including any representative, employee or agent of ZMT INC., is authorized to assume on behave of ZMT INC., any liability or responsibility in addition to or different from that described in this provision. Any and all representations, promises, warranties, or statements that are in addition to or different from the terms of this provision are of no force or effect.

Tri-Clover[®] and Tri-Clamp[®] are trademarks of their respective companies.
ZMT, Inc. is not a representative, nor affiliated with Alfa-Laval, or Tri-Clover[®].



ZM Technologies
1010 Shaw Rd., CA 95215
Phone (209) 547- 1965 FAX (209) 464-8140